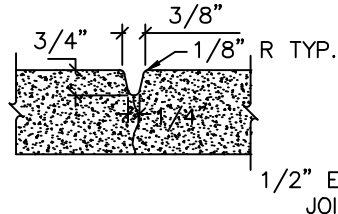
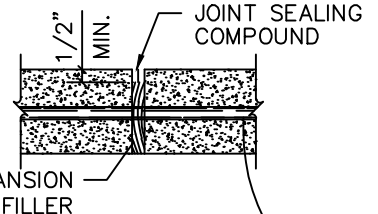


SECTION A-A
N.T.S

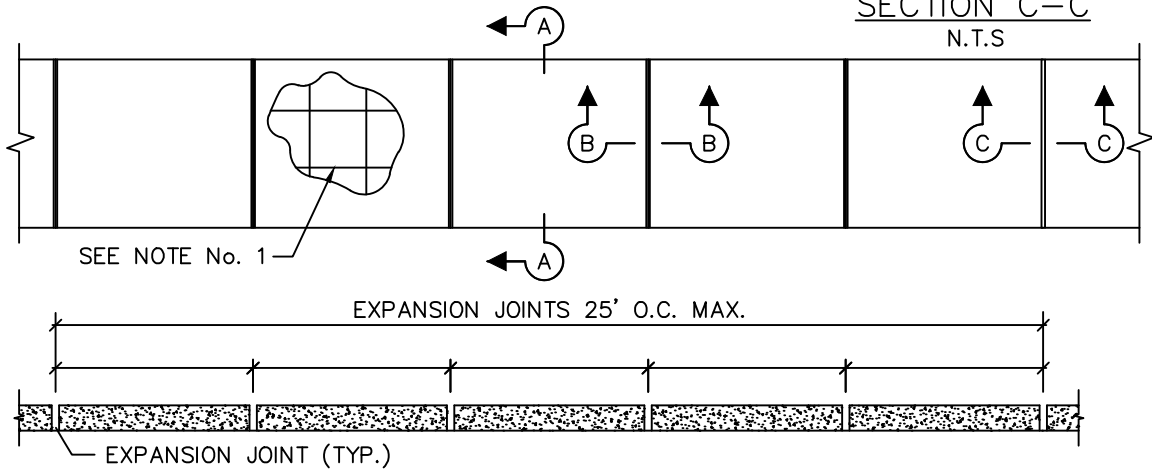


SECTION B-B
N.T.S



#4 ϕ X 18" @ 18"
SMOOTH DOWEL
(GREASE ONE END)

SECTION C-C
N.T.S



NOTE:

1. REINFORCEMENT TO BE #3 BARS AT 18" C-C
2. DOWEL WITH #4 BARS AT 18" C-C WHEN CONNECTING TO EXISTING SIDEWALKS, DRIVEWAYS, CURBS AND GUTTER.
3. INSTALL 1/2" ϕ X 18" SMOOTH DOWELS @ 18" (GREASE ONE END) THROUGH EXPANSION JOINTS.
4. ON 6' SIDEWALK TOOL JOINTS AT 6' INTERVALS W/ EXPANSION JOINT



STANDARD PAVING DETAILS
CONCRETE SIDEWALK

DATE: OCT 2009

SHEET 7 OF 9

SHEET: ST-8