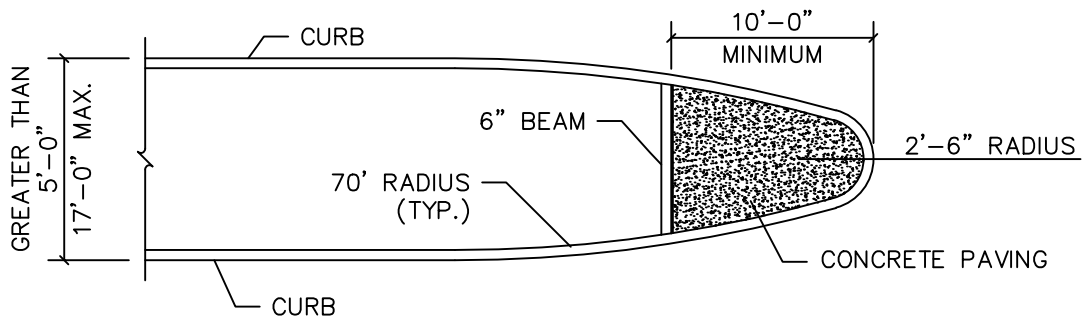
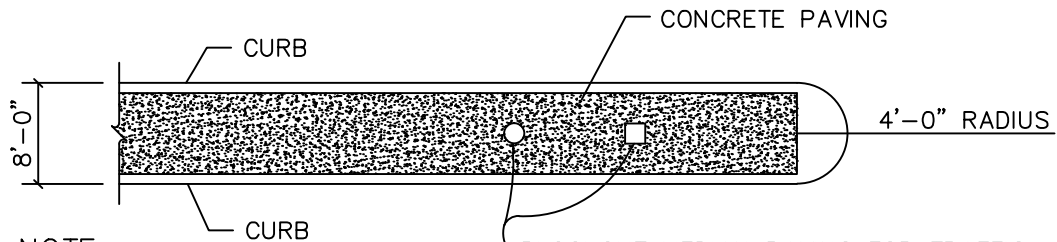


MEDIAN NOSE TYPE "C"



MEDIAN NOSE TYPE "B"



NOTE:

1. CONCRETE PAVING IS TO BE EXTENDED TO THE P.R.C. OF THE MEDIAN IN LEFT TURN LANES.

BLOCKOUT MEDIAN PAVING FOR TRAFFIC SIGNAL BASE/FOUNDATION, PULL BOX, OR LUMINARY BASE (IF LOCATIONS ARE KNOWN AND NOT INSTALLED WITH PAVING)

\* CONCRETE SHALL BE THE APPROVED STREET MIX DESIGN WITH 6" MINIMUM THICKNESS

\* EXISTING ROAD EXPANSION SHALL CONTINUE THROUGH MEDIAN

#3 DEFORMED REBAR DOWELED 6" MINIMUM INTO EXISTING ROAD WITH EPOXY

MEDIAN NOSE TYPE "A"  
(STANDARD LEFT TURN LANE MEDIAN)

